

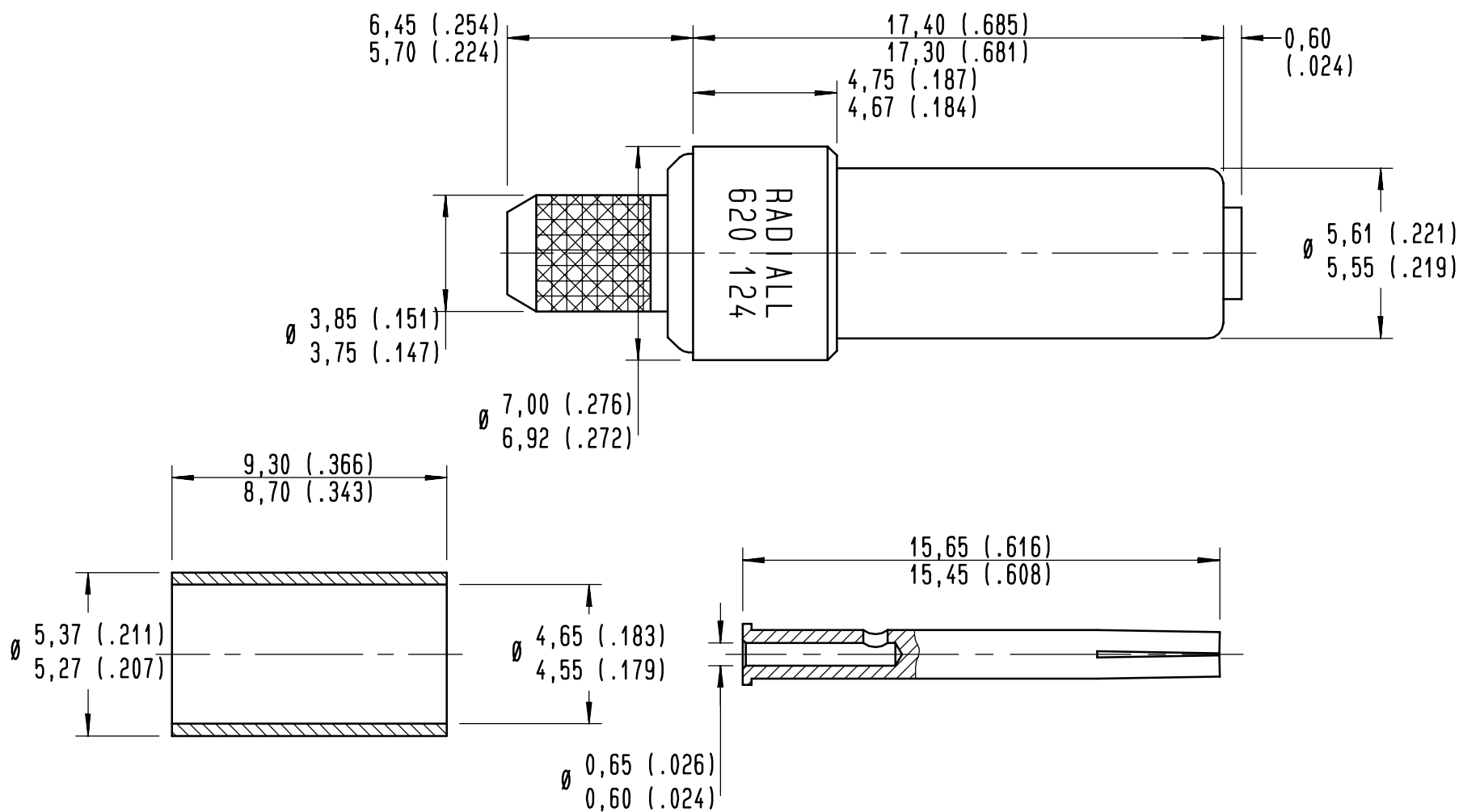


Series
NSX

SIZE 5 COAXIAL PIN CONTACT
FOR RG180 AND RG195 CABLES

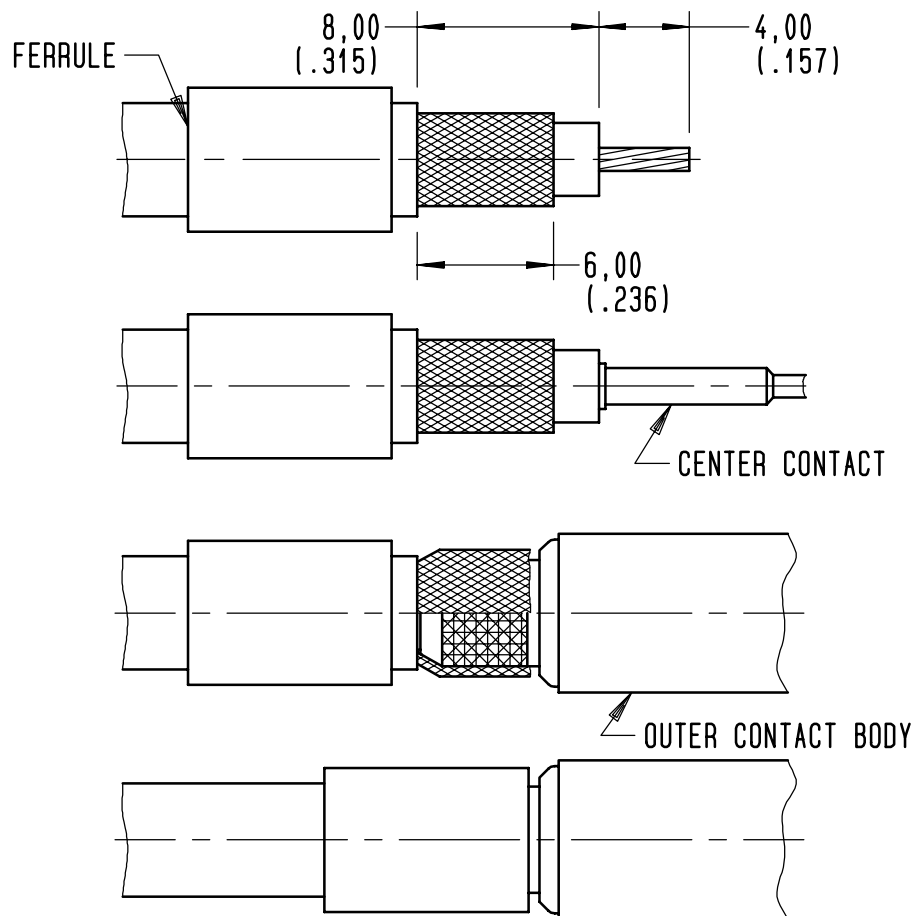
Issue:
09 JUL 98

Page
1 / 1



MATERIAL:
 OUTER CONTACT: BRASS
 INSULATOR: PTFE
 CENTER CONTACT: BERYLLIUM COPPER
 FERRULE: BRASS
FINISH (ALL METAL PARTS)
 GOLD PLATE PER MIL-G-45204: 50 MICRONS OVER NICKEL

DESIGN REQUIREMENTS
 TEMPERATURE RANGE: -65°C TO +165°C
 IMPEDANCE: 50 OHMS NOMINAL
 RATED VOLTAGE: 325 V RMS AT SEA LEVEL
 VSWR: 1.10:1 FREQUENCY RANGE: 0 - 300 MHz
 VSWR: 1.30:1 FREQUENCY RANGE: 300 - 500 MHz
 FREQUENCY RANGE: 0 - 500 MHz
 DIELECTRIC WITHSTANDING VOLTAGE: 750 VRMS AT SEA LEVEL



STRIP CABLE TO DIMENSIONS SHOWN ABOVE
SLIDE FERRULE OVER THE CABLE

SLIDE CENTER CONTACT BARREL OVER CABLE CONDUCTOR
CONTACT SHOULDER BUTTING AGAINST CABLE DIELECTRIC
CRIMP CENTER CONTACT
CRIMPING TOOL M22520/2-01 RADIALL 282281
SELECTOR ON 6
POSITIONER: K345 RADIALL 282550

FLARE BRAID, INSERT CENTER CONTACT INTO THE OUTER
CONTACT BODY
PLACE BRAID OVER KNURLED PART OF OUTER CONTACT BODY

SLIDE FERRULE OVER BRAID UNTIL IT BUTTS AGAINST SHOULDER
OF OUTER CONTACT BODY
CRIMP FERRULE
CRIMPING TOOL: M22520/5-01 RADIALL 282293
DIE: M22520/5-05 RADIALL 282246 HEX.B 4,5 (.177) /FLATS

CREATION				
PEN: .				
NOM: FALETTI	09 JUL 98	MODIFIED FURTHER TO TYPING ERROR MATERIAL FOR OUTER AND CENTER CONTACTS	VALGRESY	.
DATE: 27 NOV 84	09 DEC 96	REDRAWN	VALGRESY	BALDYROU
APPR.: CARTESSÉ	Issue	Revisions	Name	Approved

4112-9610

A620124